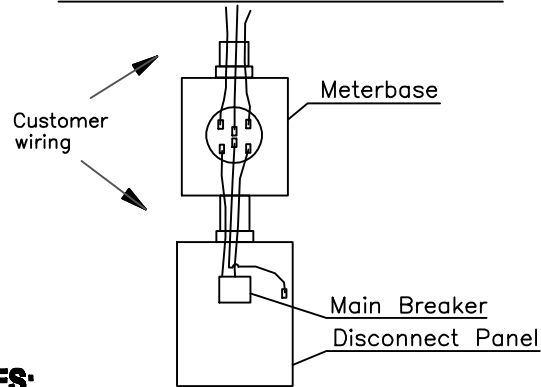


TO BE FURNISHED AND INSTALLED BY CUSTOMER

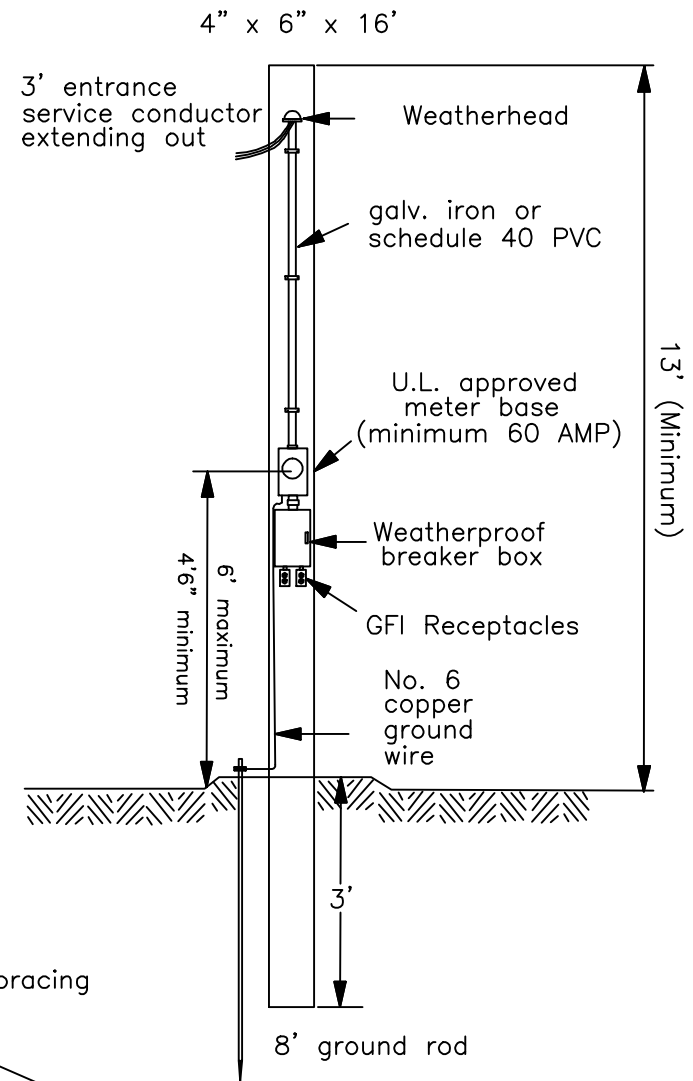
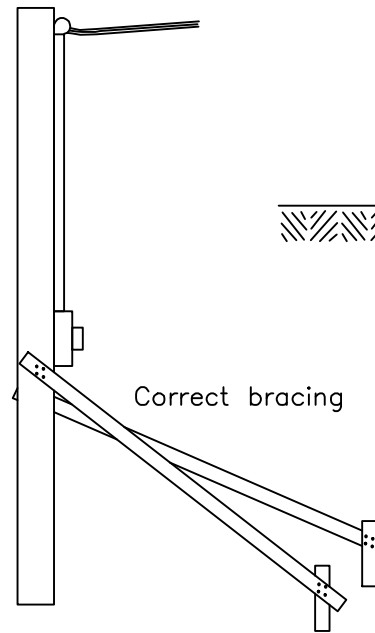
1. U.L. approved overhead meter base with weatherproof enclosure for circuit breaker and appropriate size meter base (minimum of 60 AMP).
2. All conduit must be galvanized iron or schedule 40 PVC.
3. 5/8" x 8' galvanized or copper coated ground rod with U.L. approved ground clamp.
4. Pipe straps to be attached with wood screws only.
5. Minimum 4" x 4" x 16' treated pole or class 7 pole.
6. Weatherhead and weatherproof duplex GFI receptacles.
7. Two 2" x 4" braces attached to pole to properly secure pole.
8. Number 6 copper ground wire attached to meter base and ground rod.
9. Minimum of 3' of service conductor exiting weatherhead.

METERBASE WITH BREAKER BOX



NOTES:

1. Pole location must be spotted by LEC personnel prior to installation.
2. Temp service poles must be installed less than 75' from LEC service pole.
3. Pole height must be sufficient to provide 12' clearance over driveways and roads.
4. Temp pole MAY need to be inspected by local authorities.
5. Pole must be properly tamped and secure enough to support a ladder.
DO NOT USE CONCRETE.



* Check local codes for all other applicable requirements

Temporary Overhead Service

Revised:
12-6-05

LEC Laurs Electric
Cooperative, Inc.